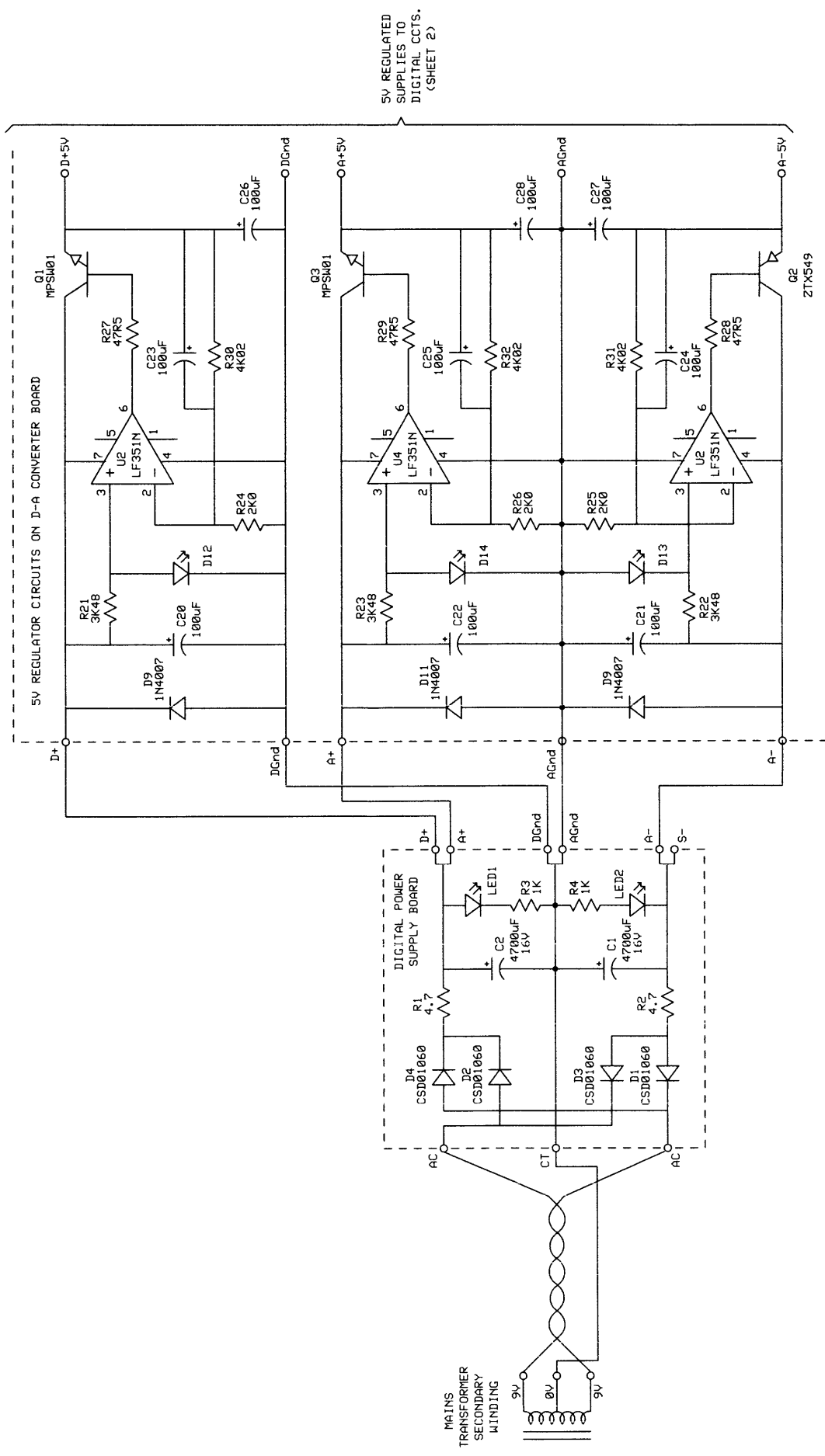


DIGITAL POWER SUPPLY SCHEMATIC



Notes:

1. D12, D13 & D14 not identified but assumed to be 1-2 ma/1.7V.
2. All electrolytic capacitors are 10V unless otherwise indicated.

Audio Note Kits	
DAC Kits Digital Schematic	
DRAWN BY: FME	Rev 1.0 14/11/2008
Sheet 2 of 2	