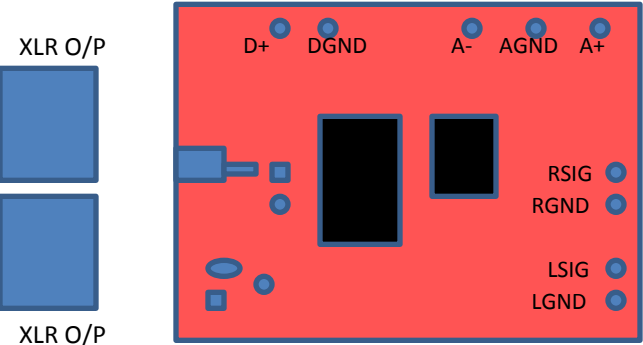
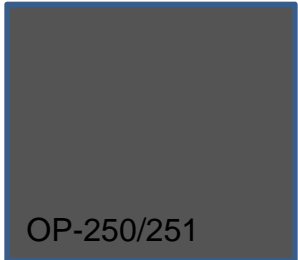
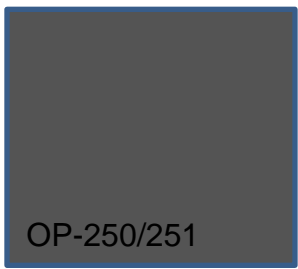
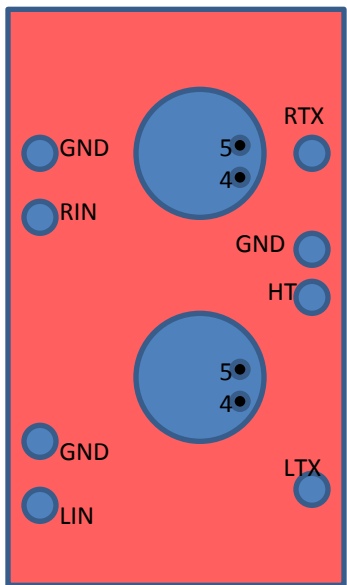
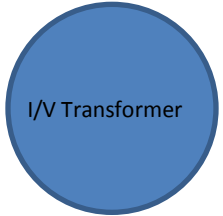
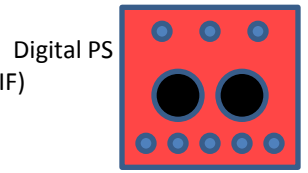
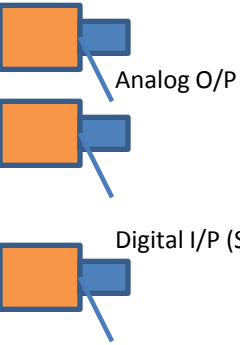
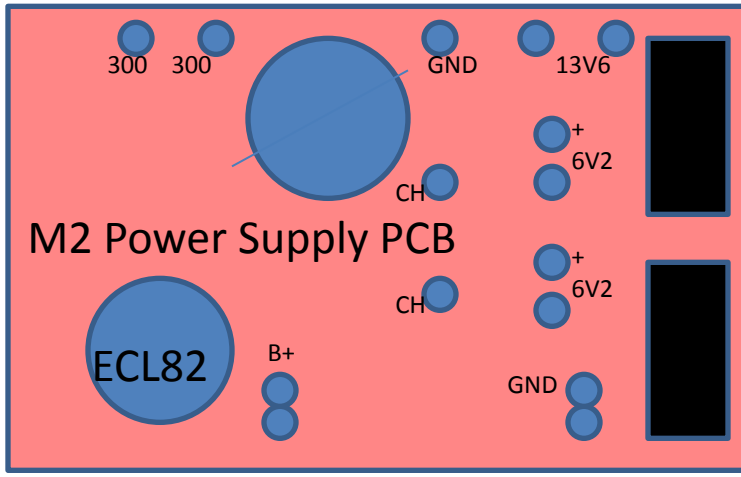
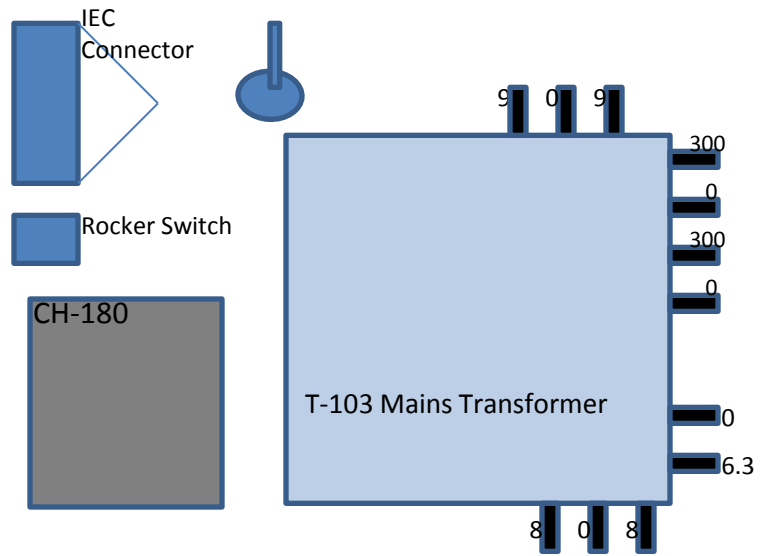
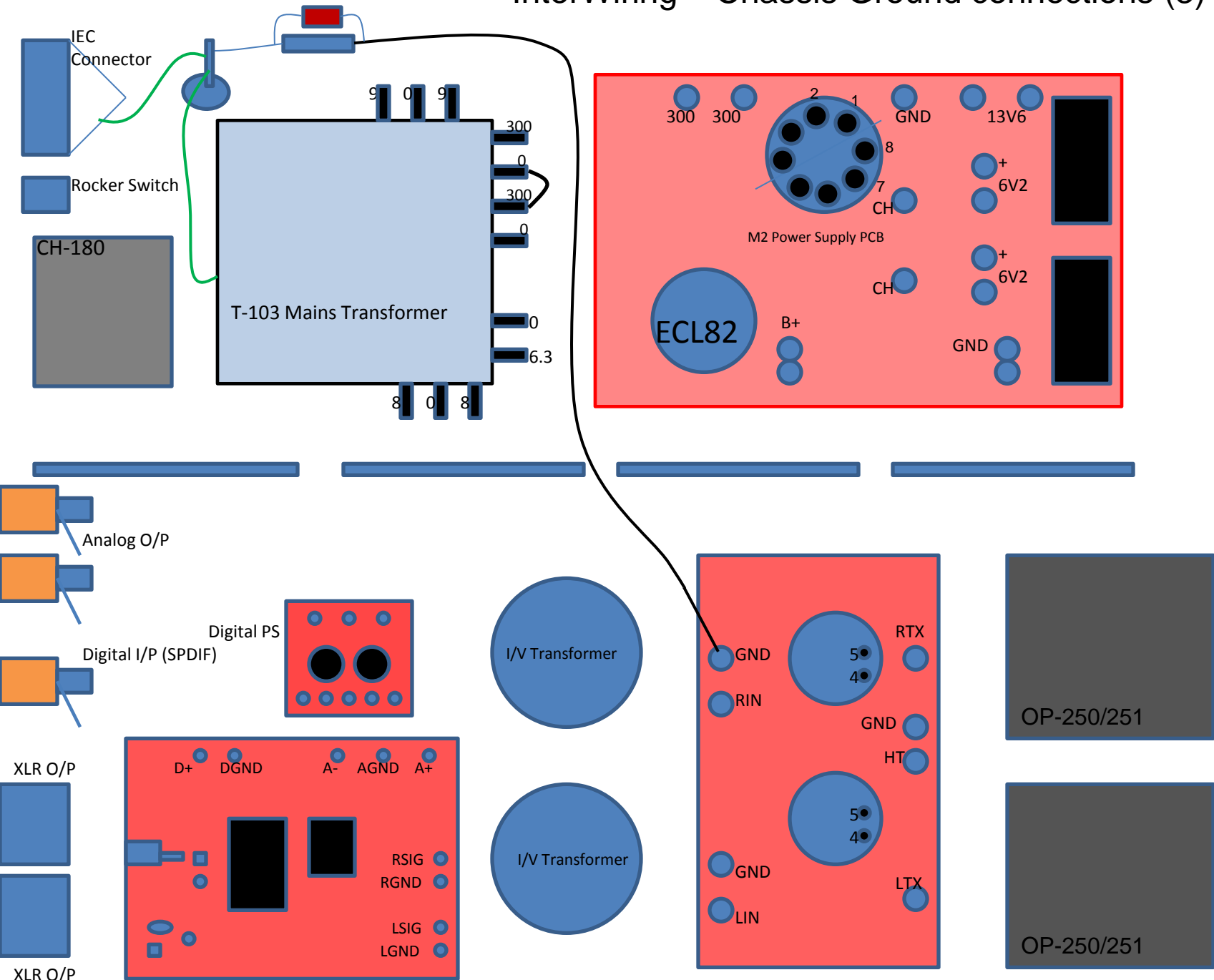


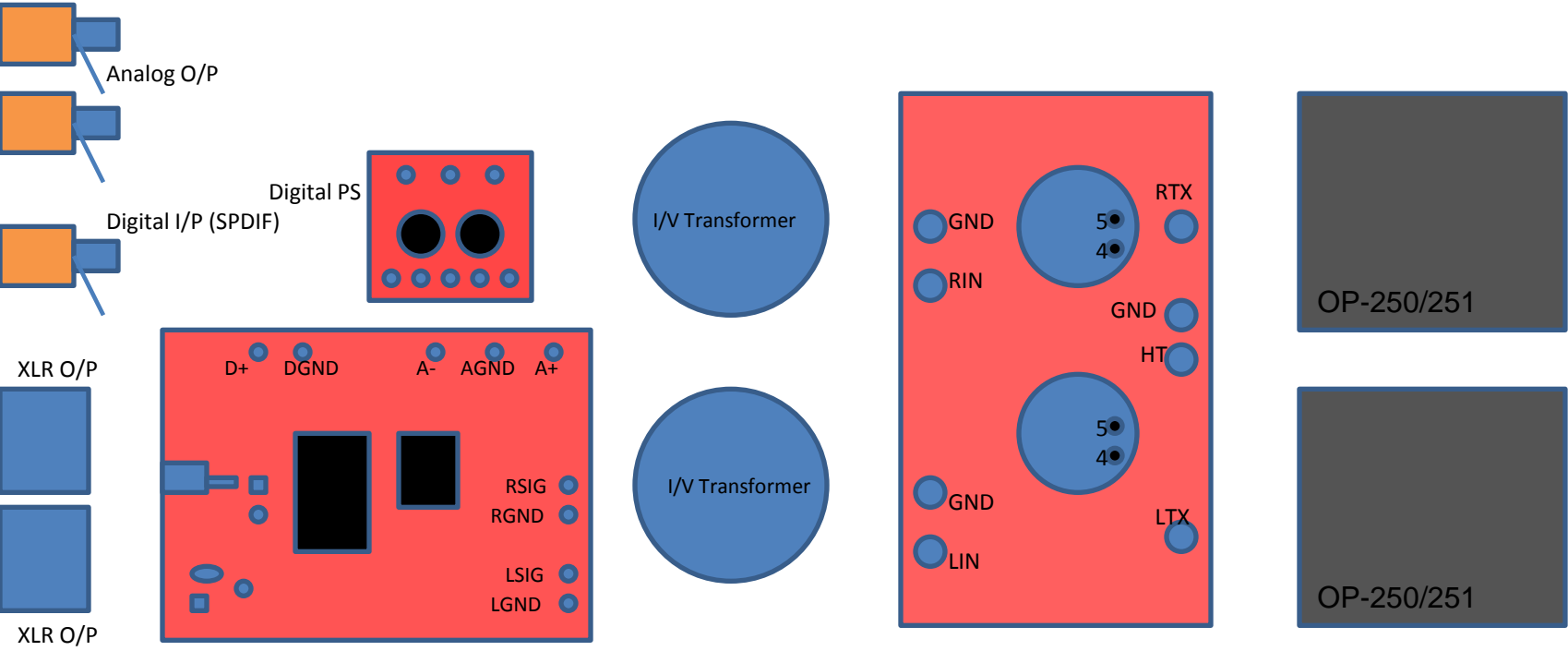
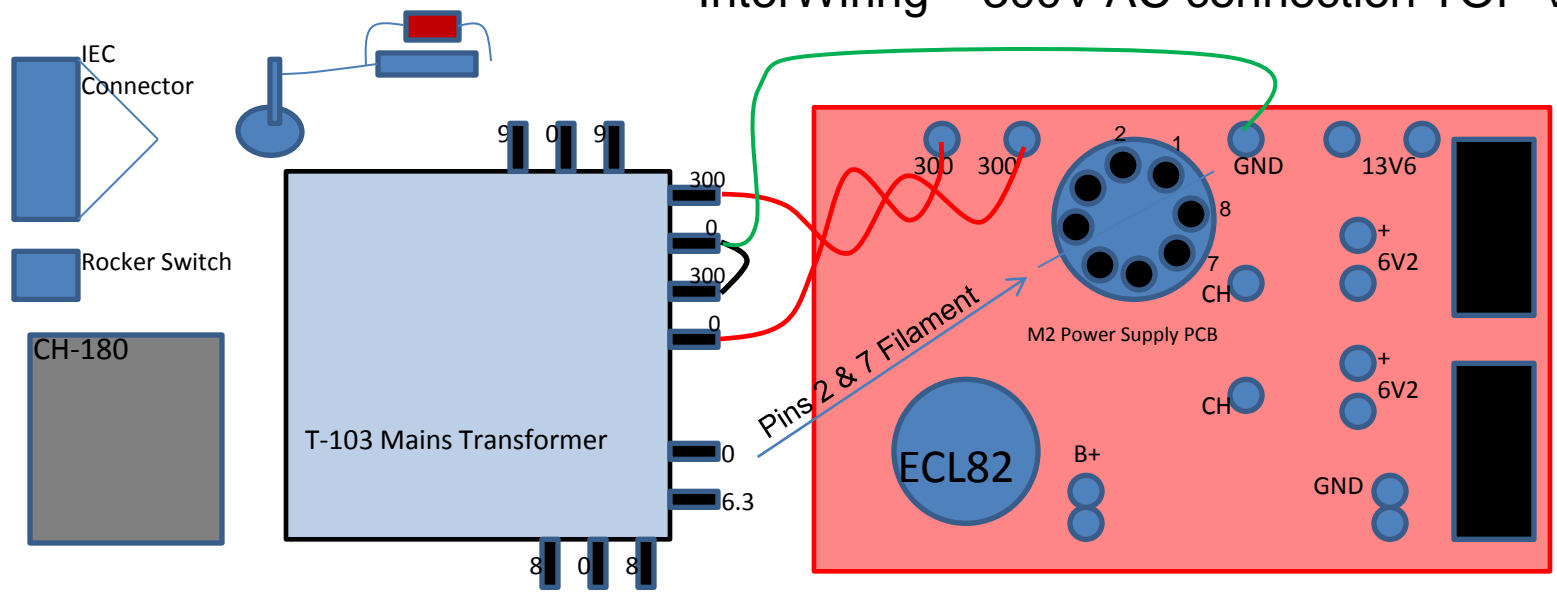
# DAC 3.1 /4.1 Interwiring Diagram



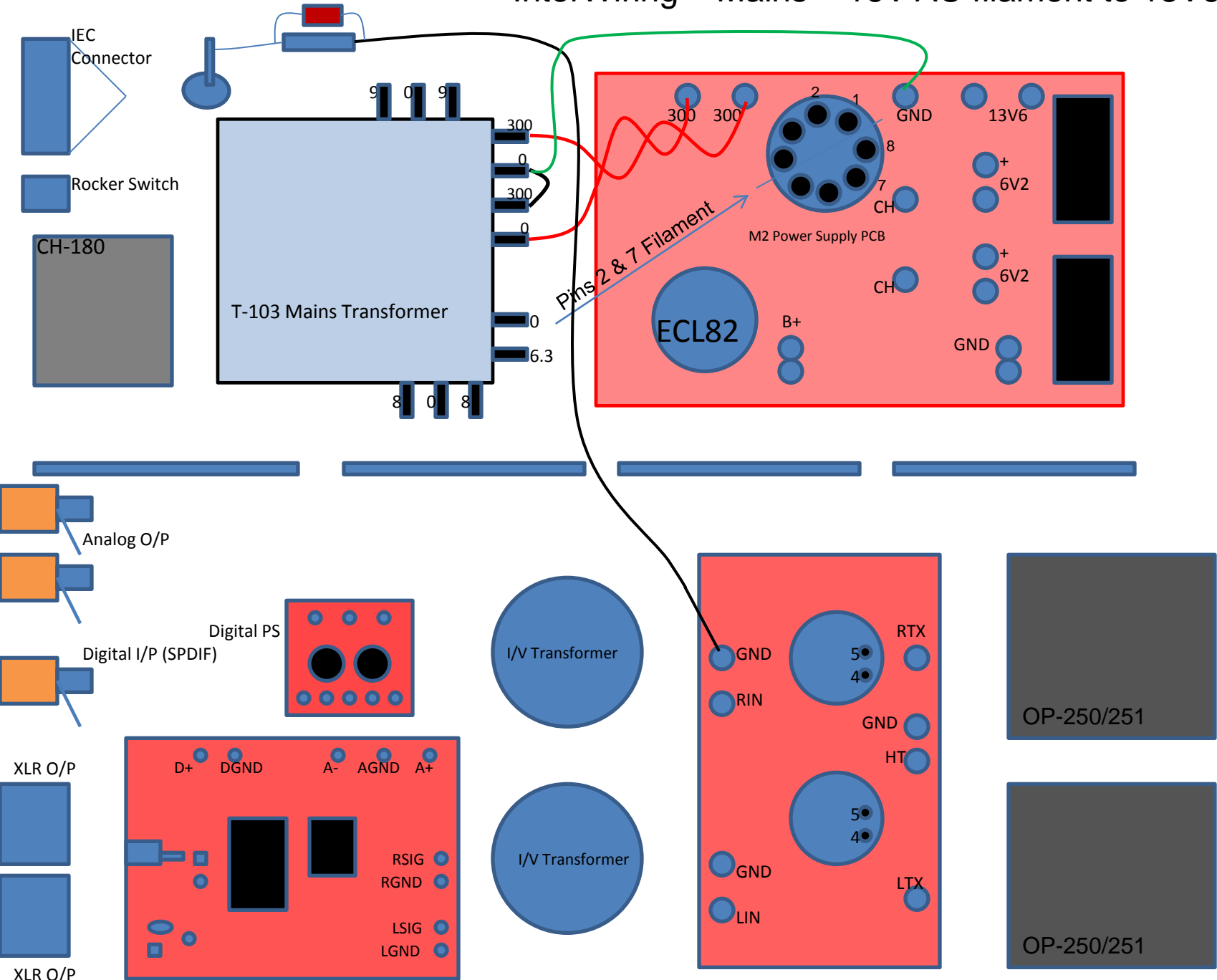
# InterWiring – Chassis Ground connections (3)



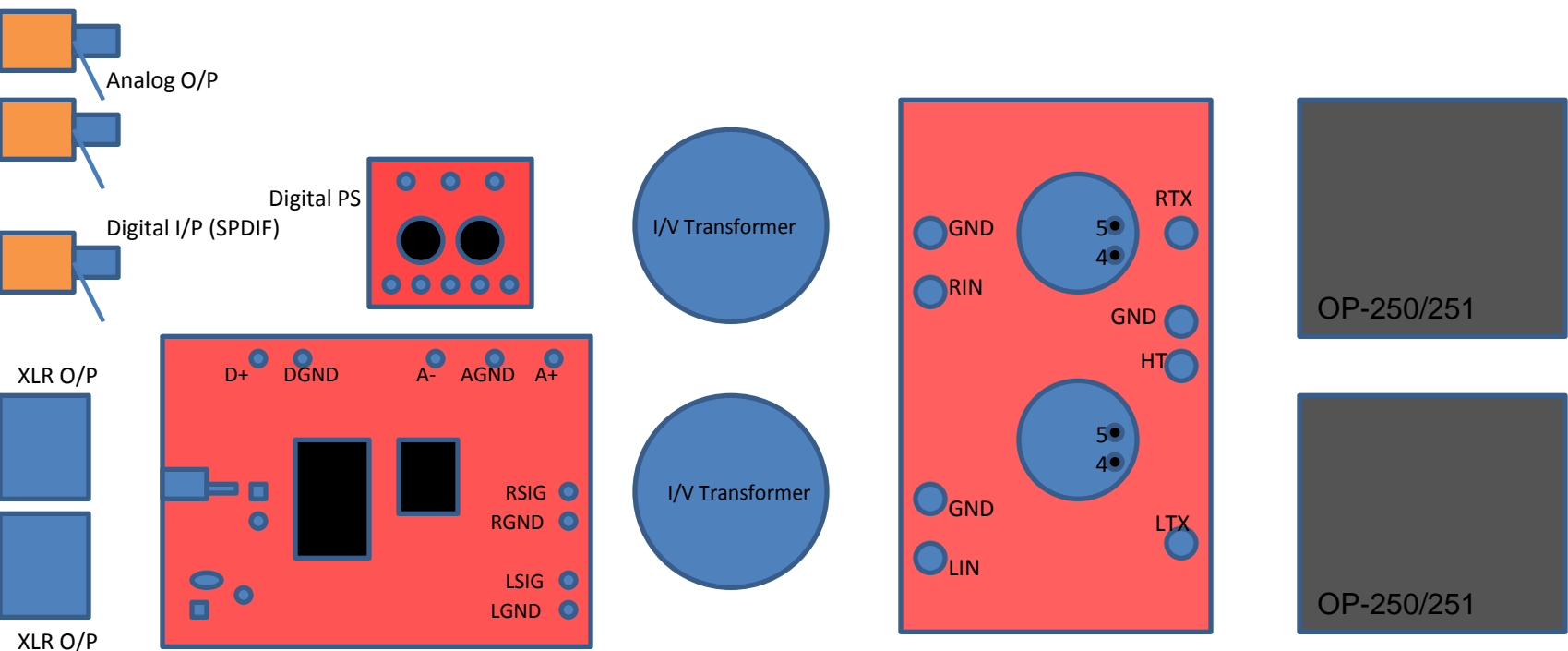
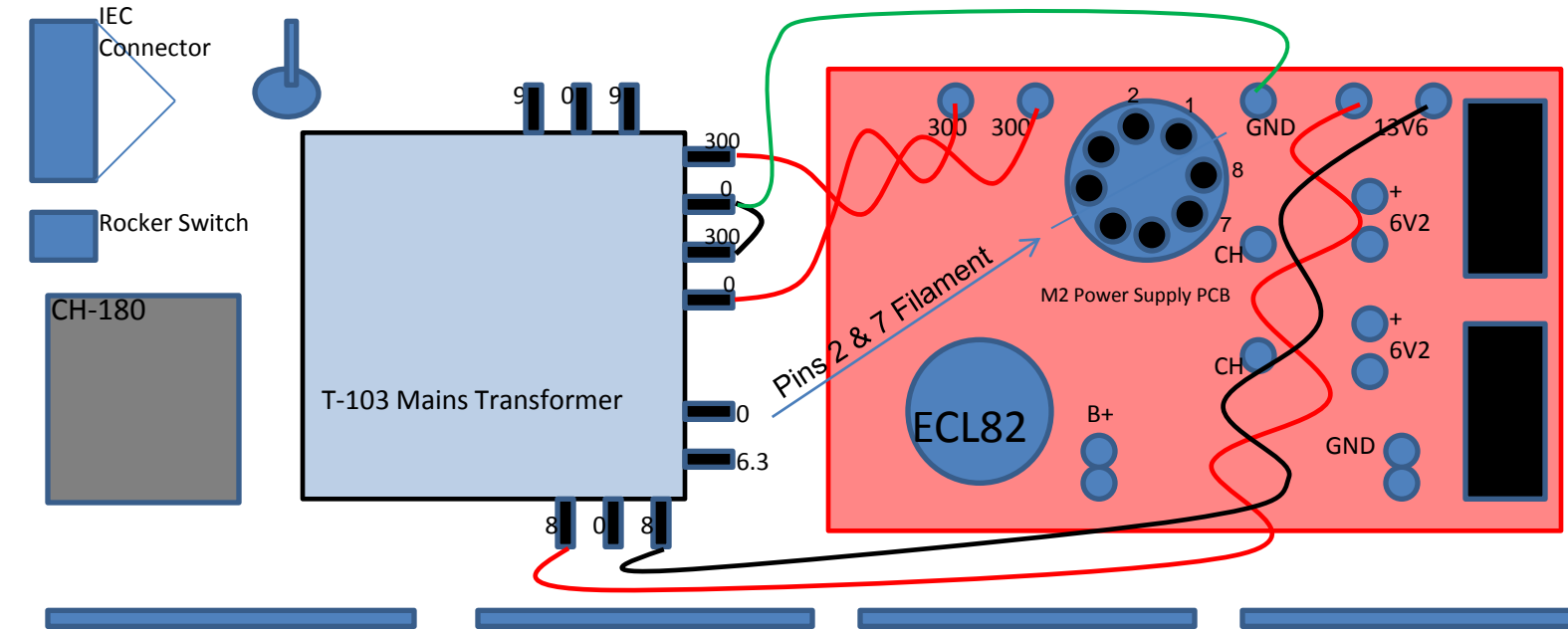
# InterWiring – 300V AC connection TOP VIEWS



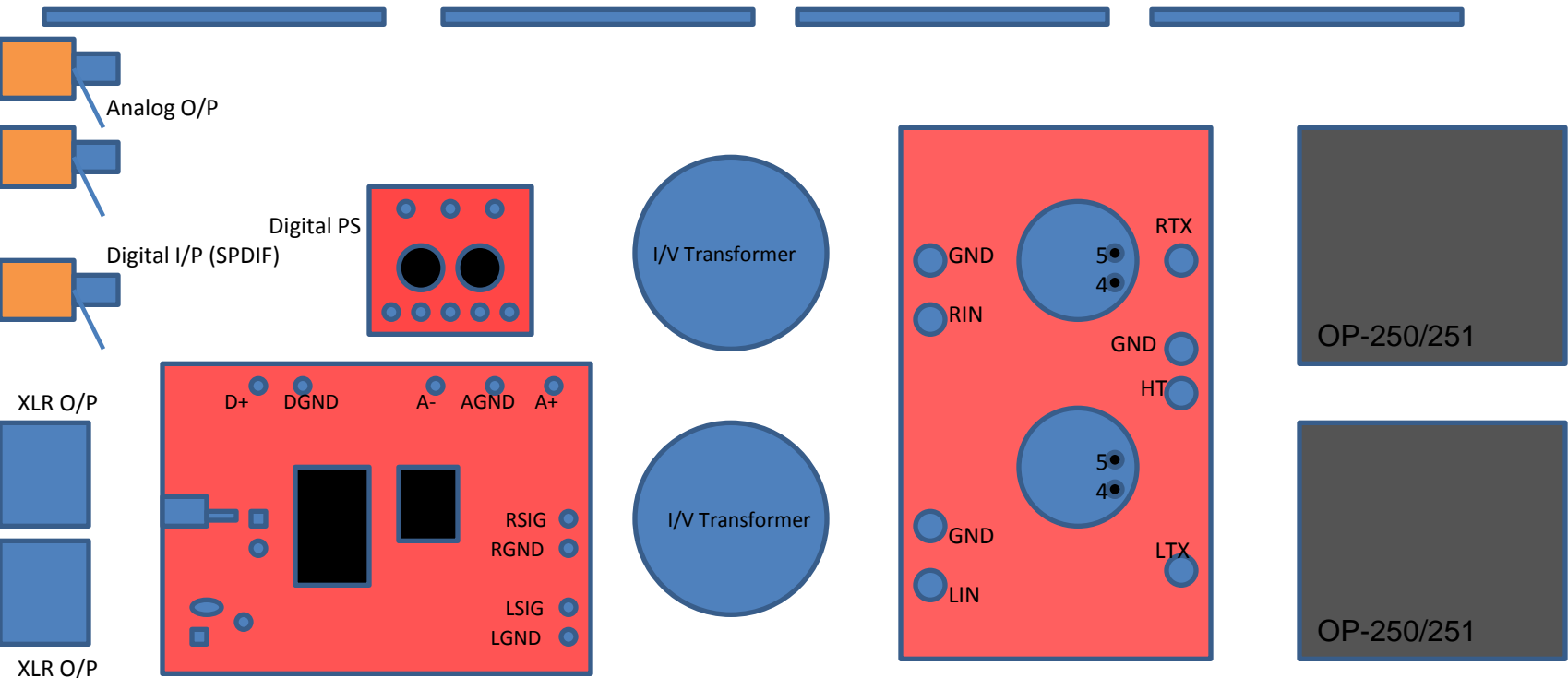
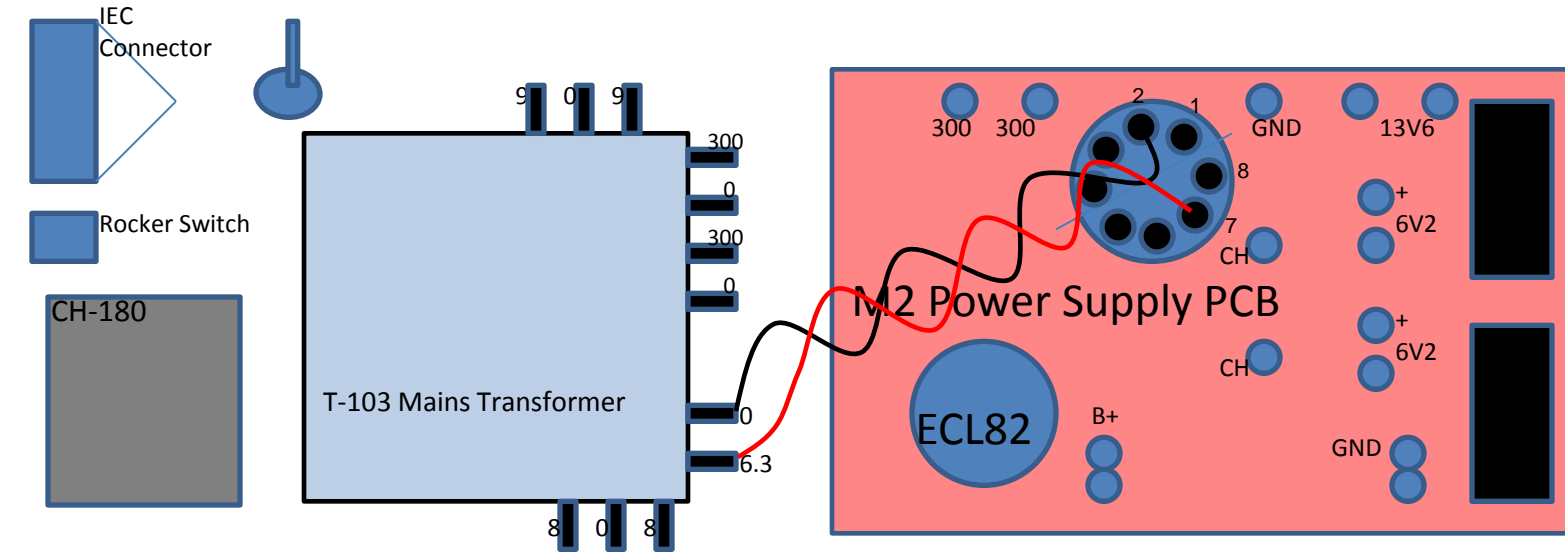
# InterWiring – Mains – 16V AC filament to 13V6



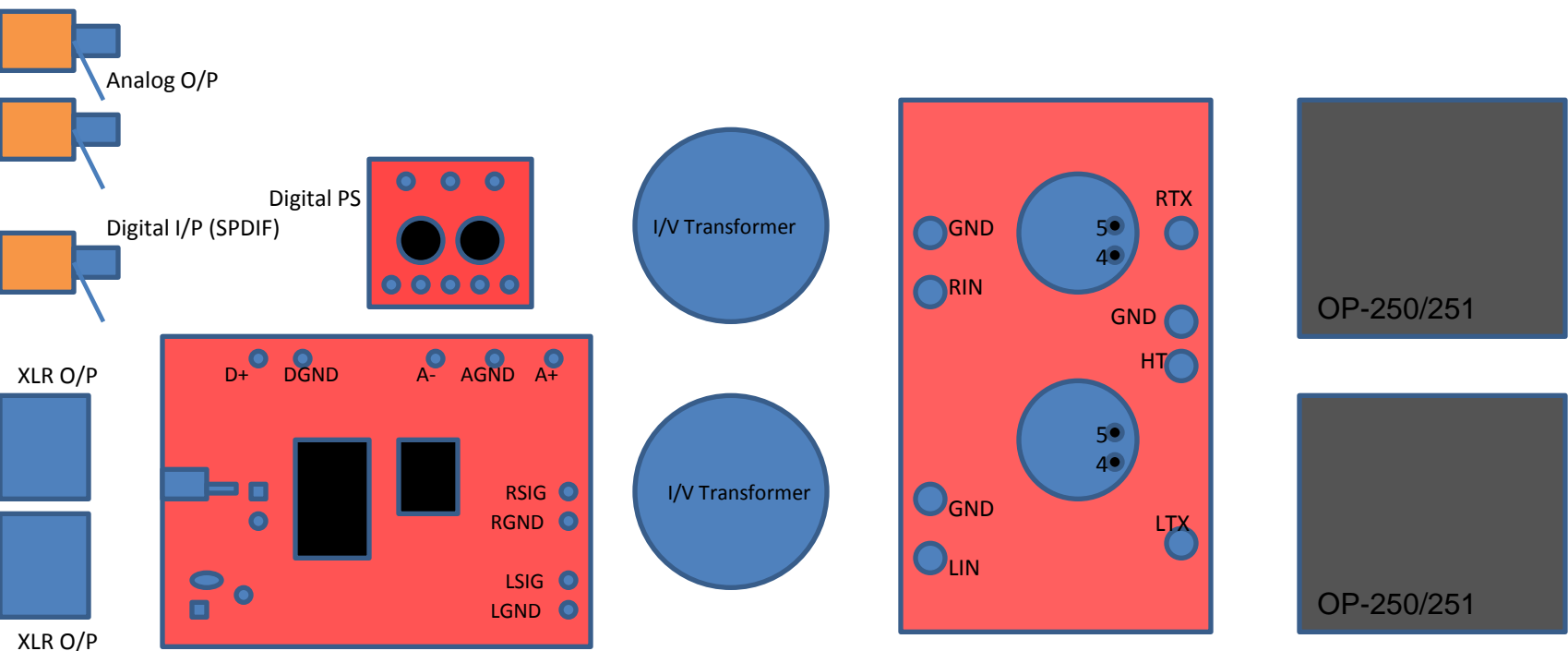
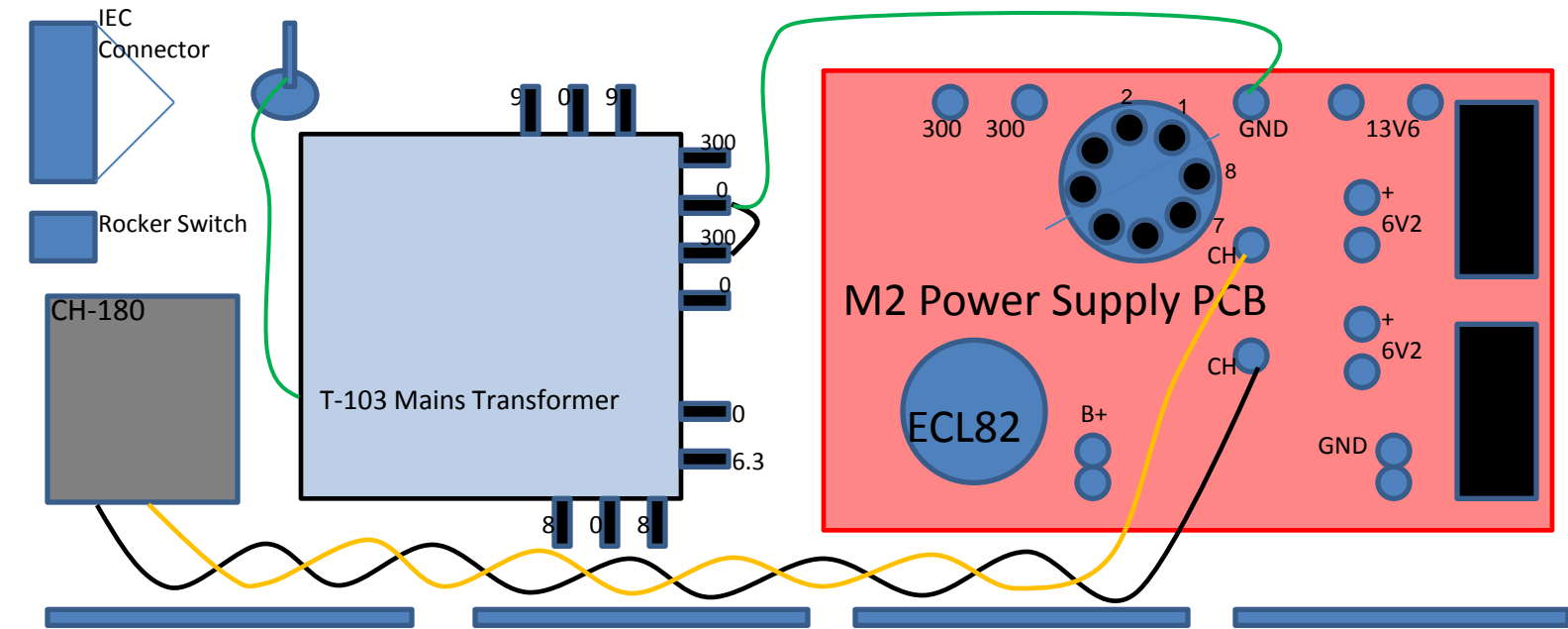
# InterWiring – Mains – 16V AC filament to 13V6



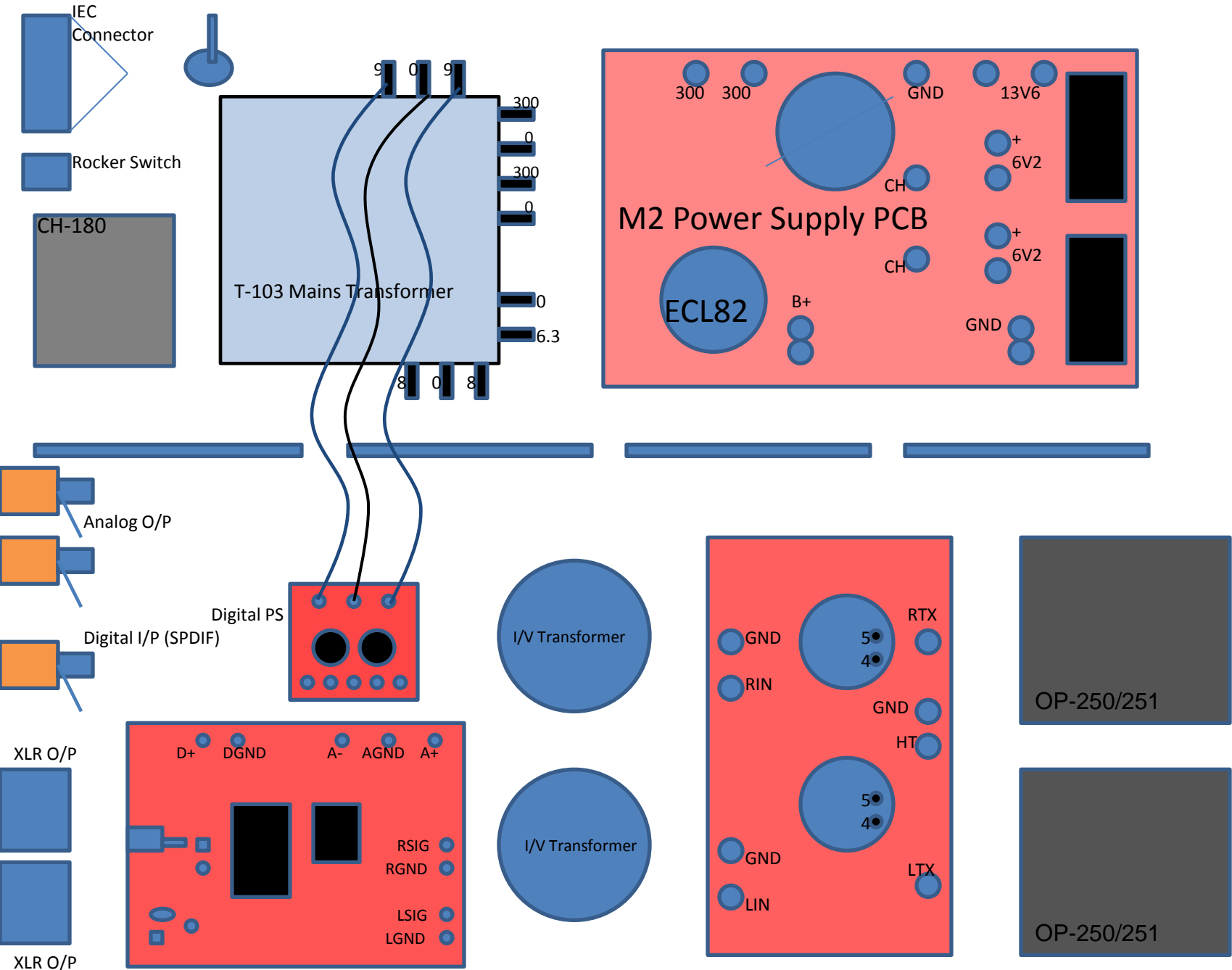
# InterWiring – Mains – 6.3V AC filament to 6X5 tube



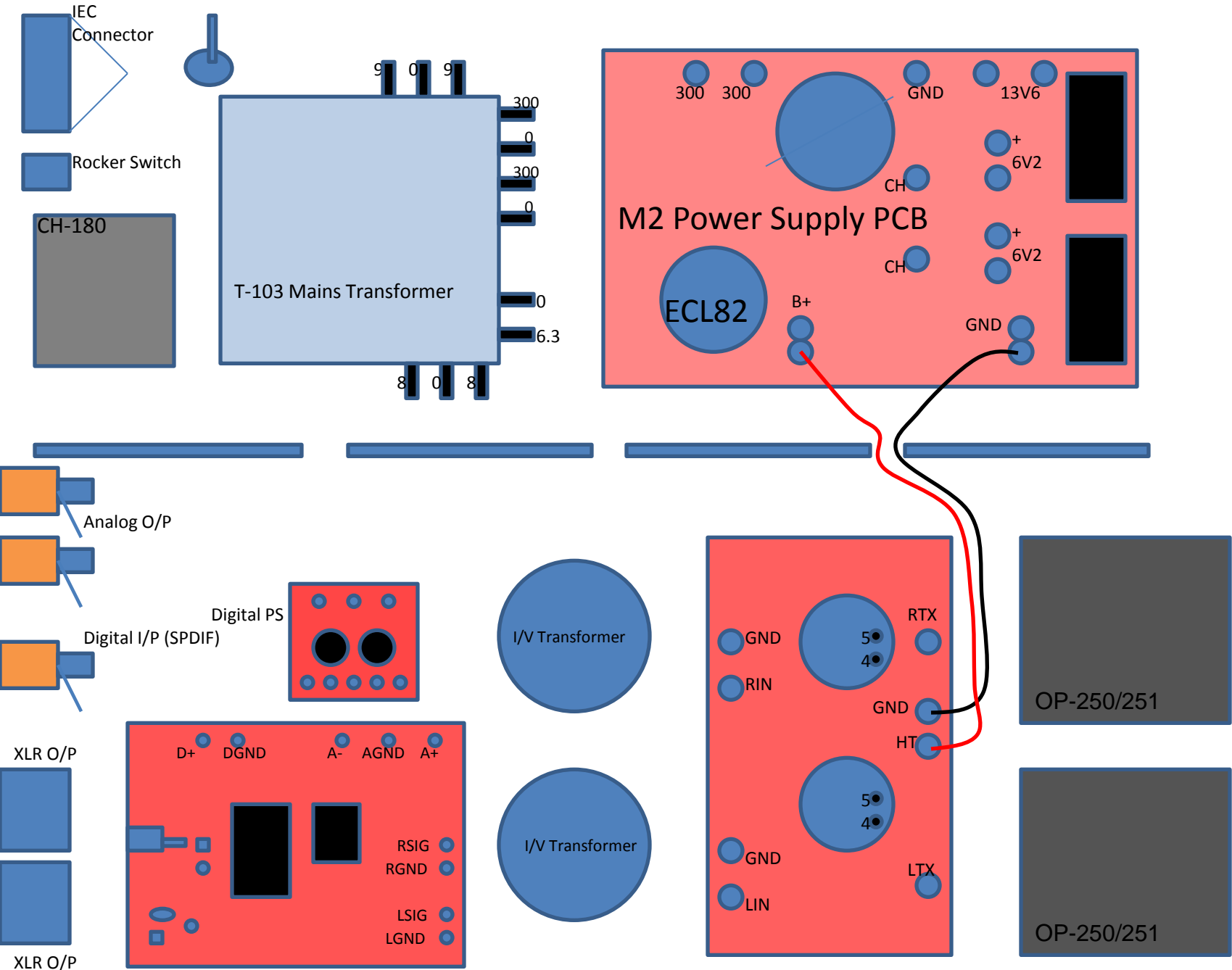
# InterWiring – Power supply Choke connections



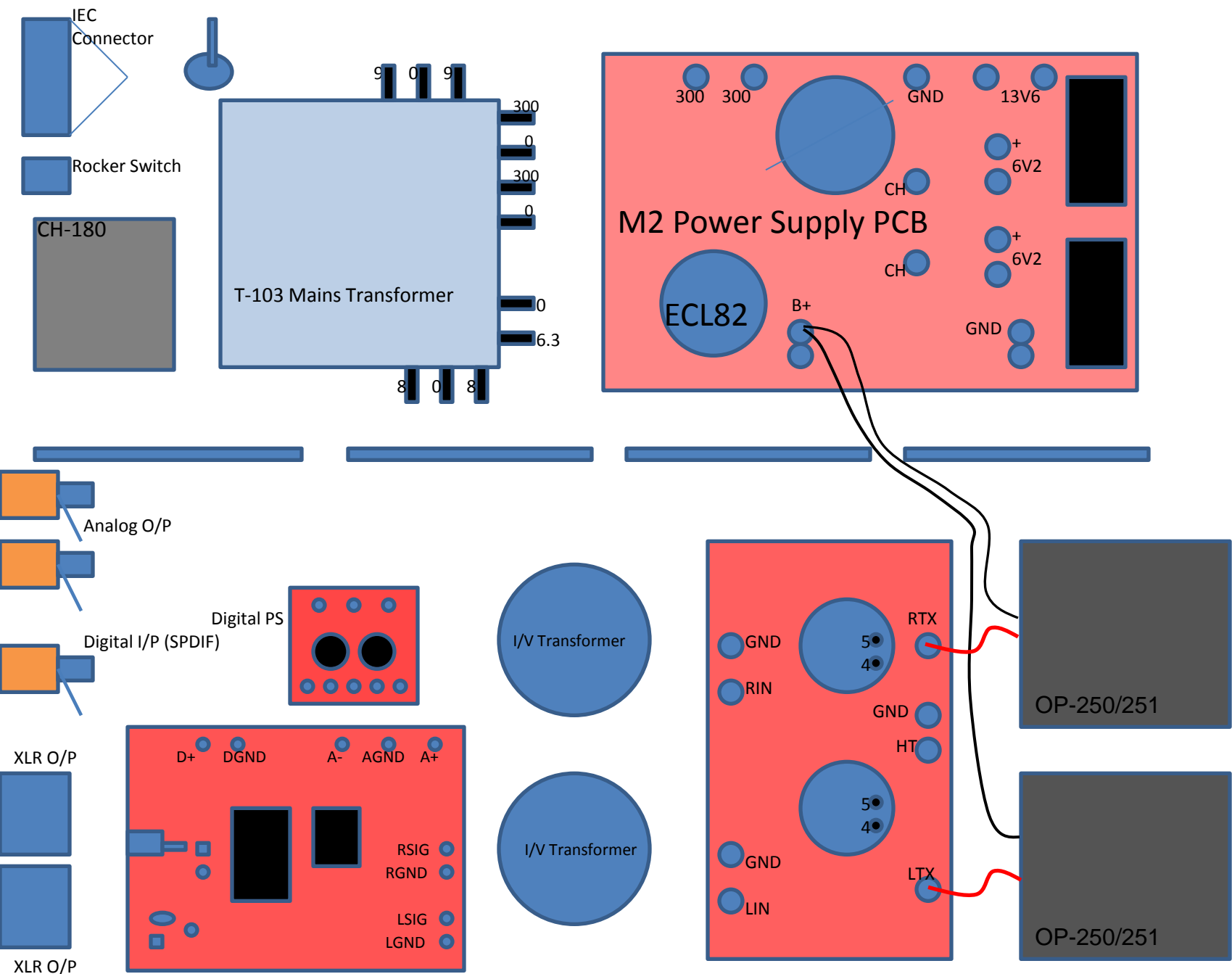
# InterWiring – Digital Power Supply from Mains



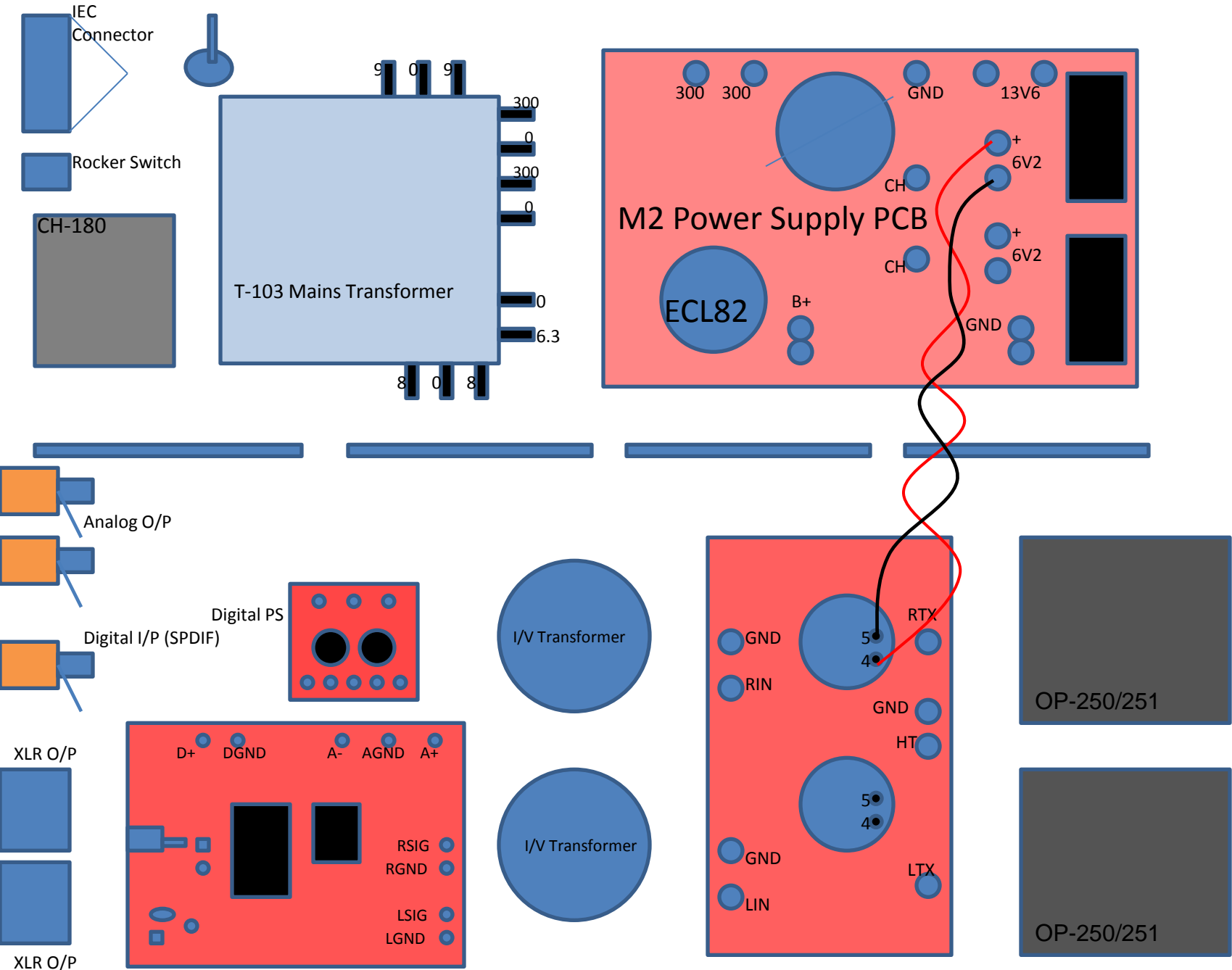
# InterWiring – High Voltage from M2 PS > 5687 Line



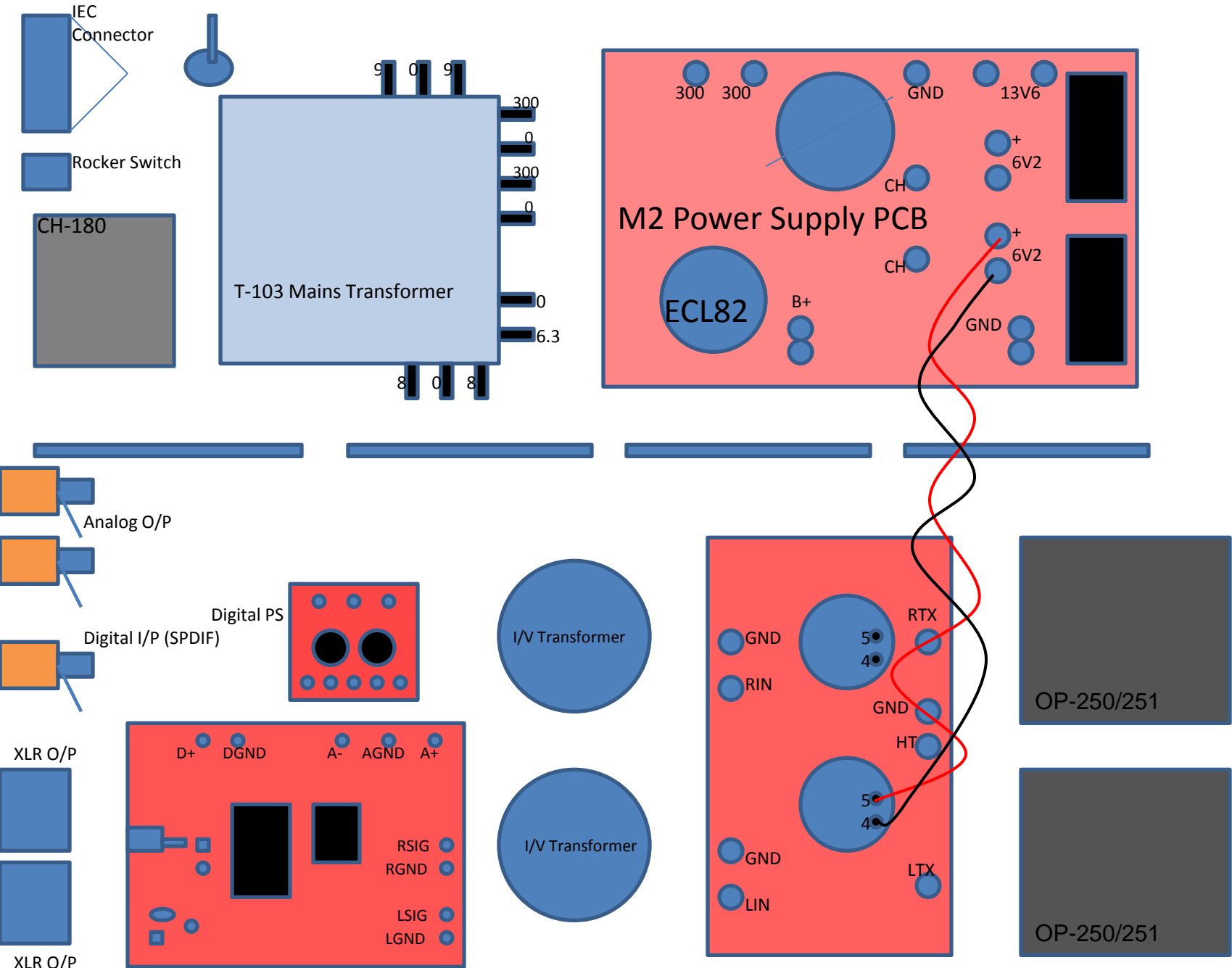
# I InterWiring – O/P T/X primary to 5687 Line Board



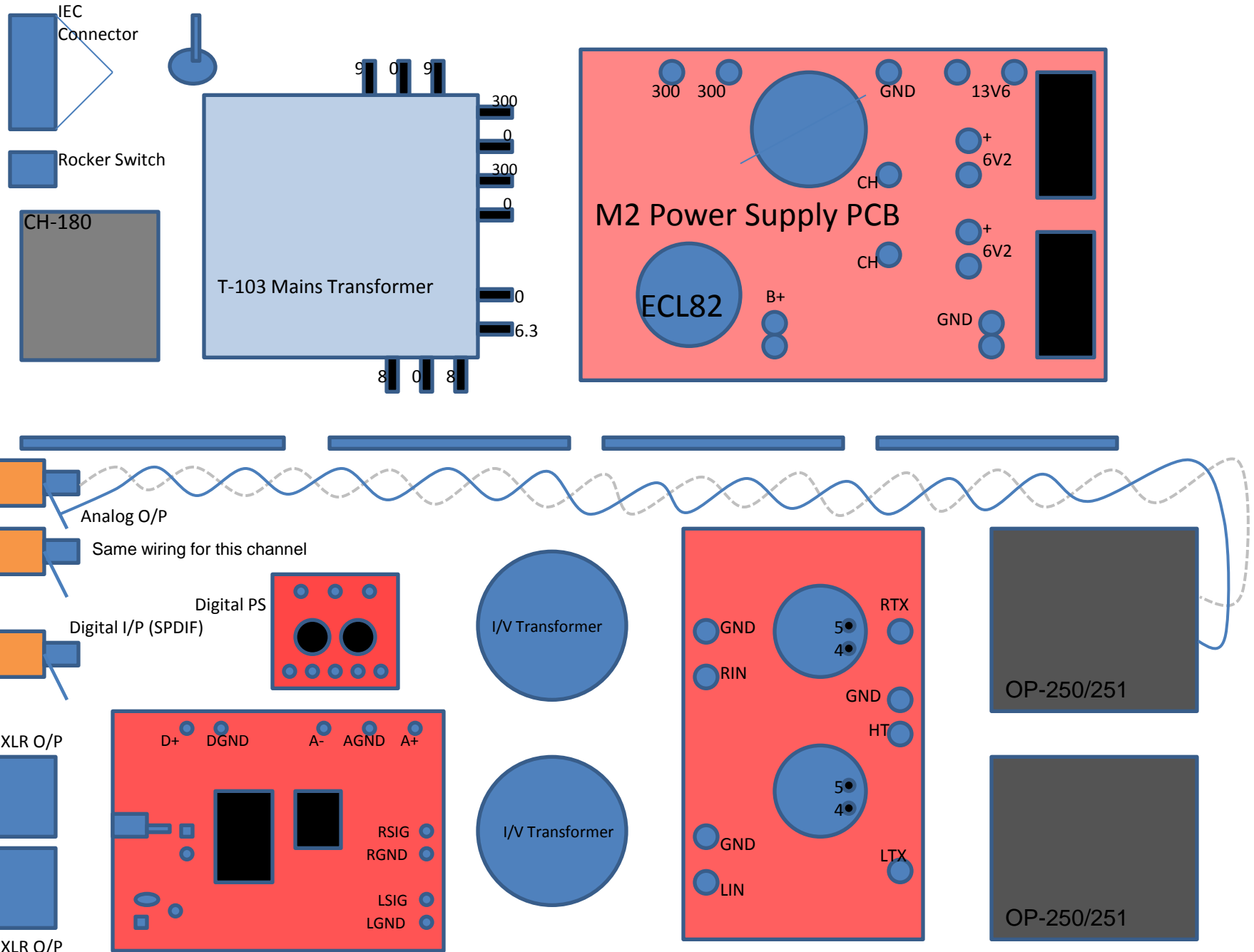
# InterWiring – #1 12V DC filament M2PS > 5687 pins 4 & 5



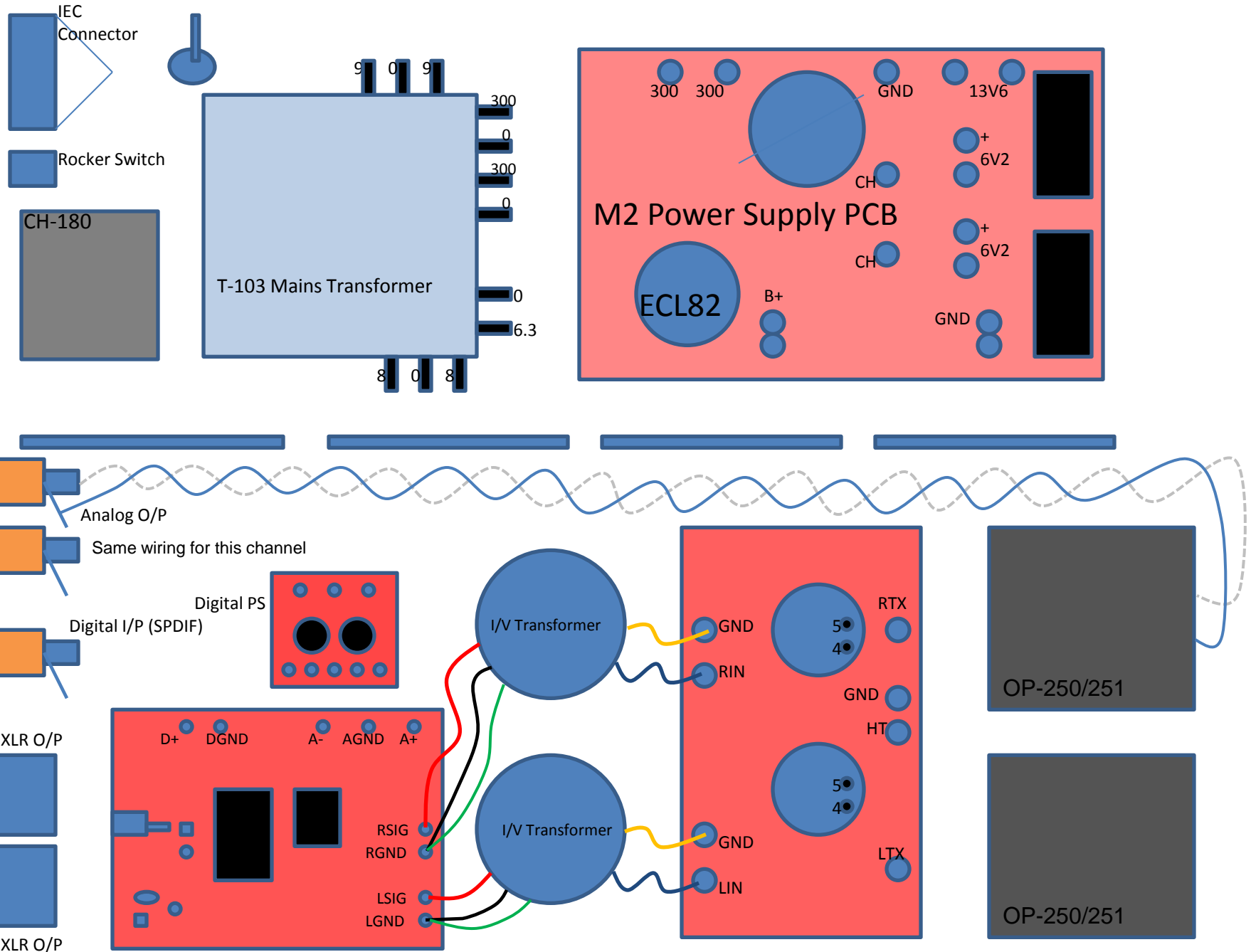
# InterWiring – #1 12V DC filament M2PS > 5687 pins 4 & 5



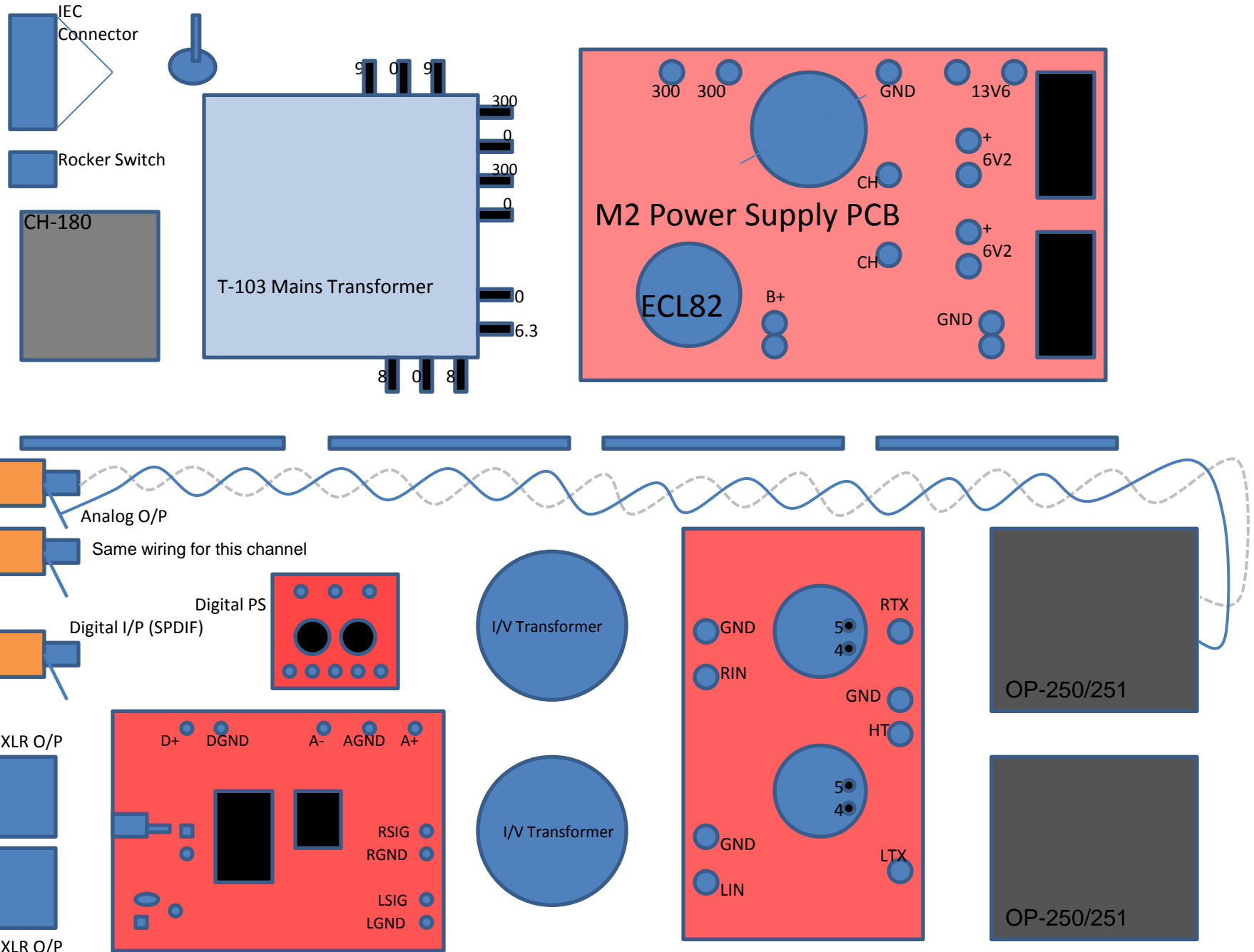
# InterWiring – RCA O/P OP-250 IE core DAC3.1



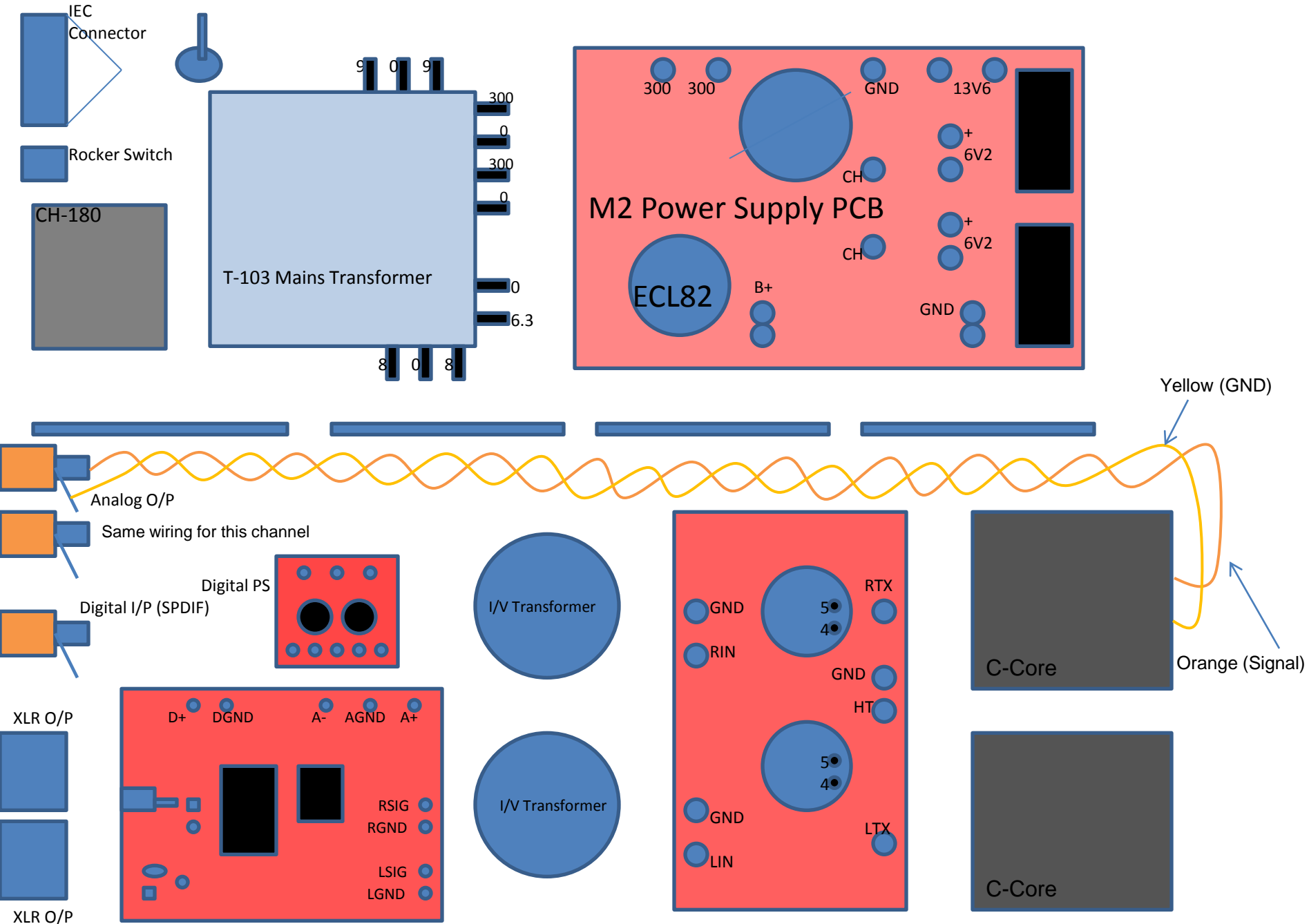
# InterWiring – I/V transformer connections



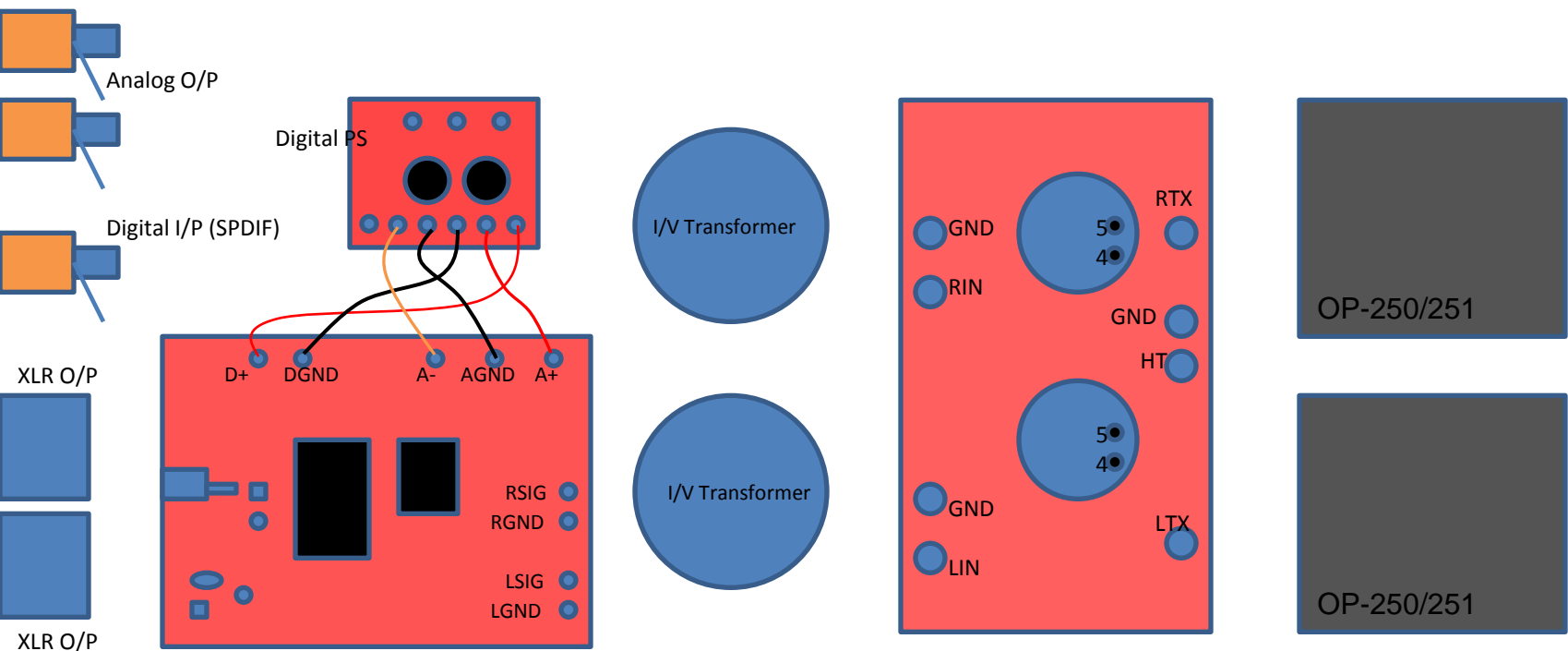
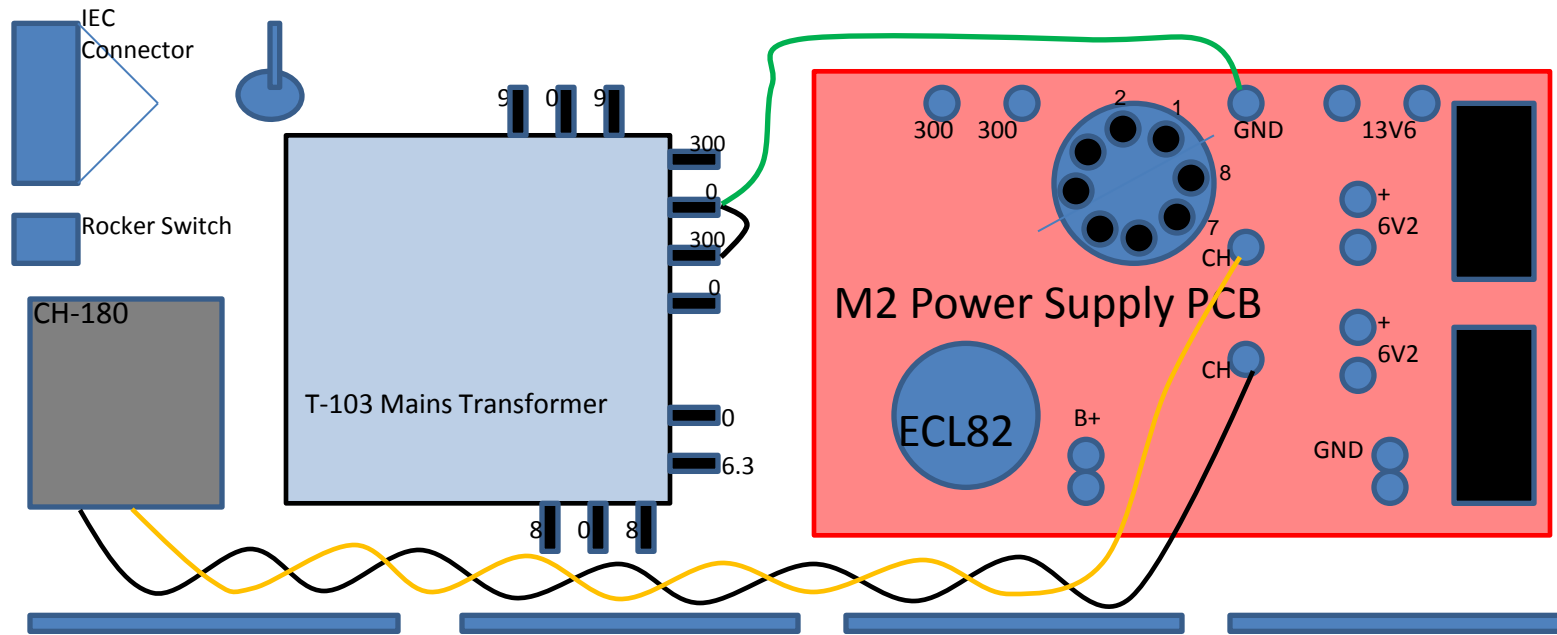
# InterWiring – RCA O/P DAC3.1



# InterWiring – Balanced O/P Transformer DAC4.1



# InterWiring – Digital Power Supply Connections



# InterWiring – Balanced XRL to RCA connections LEFT channel only is shown for clarity

